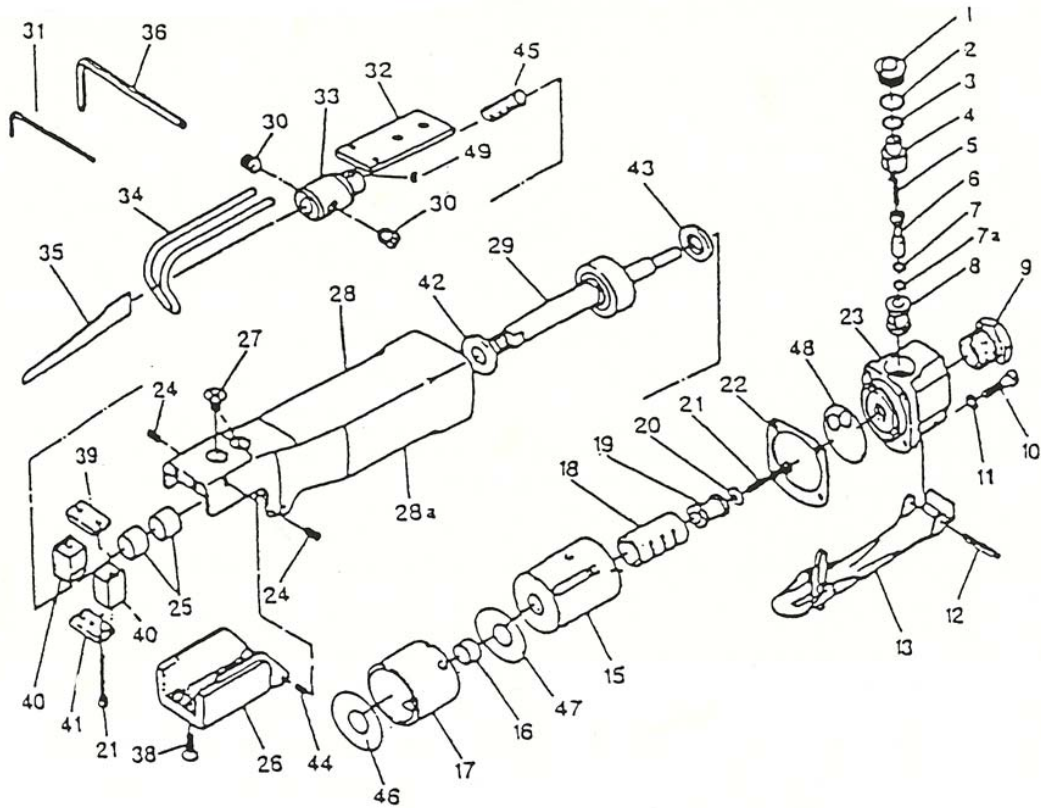


# GP-0822 AIR BODY SAW

[www.air-allied.com.au](http://www.air-allied.com.au)



**PARTS**    **DESCRIPTION**  
**NO.**

01.	VALVE SCREW
02.	"O" RING
03.	"O" RING
04.	AIR CONTROLLER
05.	VALVE SPRING
06.	VALVE STEM
07.	"O" RINGS (INCL.7a)
08.	VALVE BUSHING
09.	INLET BUSHING
10.	CAP SCREW (4)
11.	WESHER
12.	LEVER PIN
13.	THROTTLE LEVER
15.	VALVE CASE
16.	BUSH
17.	CYLINDER
18.	VALVE STEEVE
19.	ACTUATE VALVE
20.	WASHER
21.	CAP SCREW (2)
22.	GASKET
23.	VALVE BLOCK
24.	SET SCREW (2)
25.	BUSH (2)
26.	CHUCK COVER

**PARTS**    **DESCRIPTION**  
**NO.**

27.	SCREW (2)
28.	HOUSING
28a.	PLASTIC WRAPP
29.	PISTON ASS'Y
30.	SET SCREW (2)
31.	WRENCH (2MM)
32.	GUIDE PLATE
33.	BLADE CHUCK
34a.	GUIDE (LONG)
34b.	GUIDE (SHORT)
35a.	BLADE (32T)
35b.	BLADE (24T)
36.	WRENCH (4MM)
38.	SCREW
39.	UPPER WEAR SHOE
40.	BLADE GUIDE (2)
41.	BRIDGE
42.	FRONT BUMPER
43.	REAR BUMPER
44.	BALL PIN (2)
45.	SPRING
46.	PACKING
47.	PACKING
48.	PACKING
49.	SET SCREW